

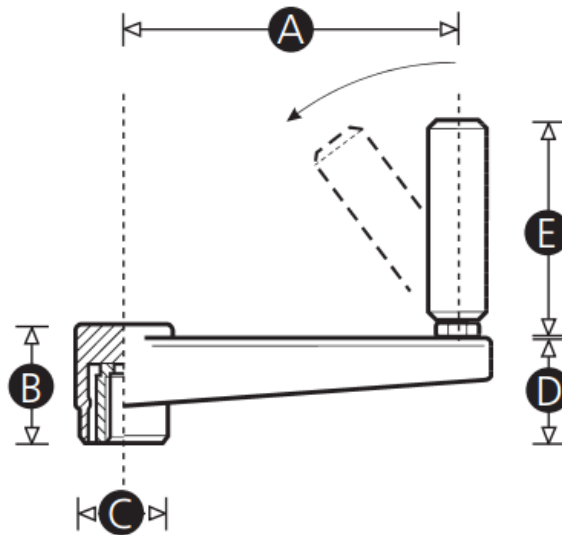
G09CR Cranking Handle With Folding Side Handle

Features

- Complete with a folding revolving side handle

Material

- Body: High impact resistant thermoplastic, matt black
- Insert: Brass



Part No.	A	B	C	D	E	Thread Size
G09CR-6705Y	65	31	26	32	52	M8
G09CR-6715R						M10
G09CR-6716Y						M12
G09CR-6706U	80	33	30	33	52	M8
G09CR-6742T						M10
G09CR-11127Y						M12
G09CR-6702Z	110	39	33	39	62	M10
G09CR-9440S						M12
G09CR-9441Z						M14
G09CR-6707Q	140	49	42	50	72	M12
G09CR-9442V						M14
G09CR-9443R						M16
G09CR-6708X	185	54	46	58	82	M12
G09CR-9444Y						M14
G09CR-9341S						M16